

Ballasted Mounting System

For flat roof 10° Tilt S and E-W orientation



ISO 9001: 2015 quality management system certified

New & Improved: The Professionals' Choice With Superior Aesthetics

E-W 10

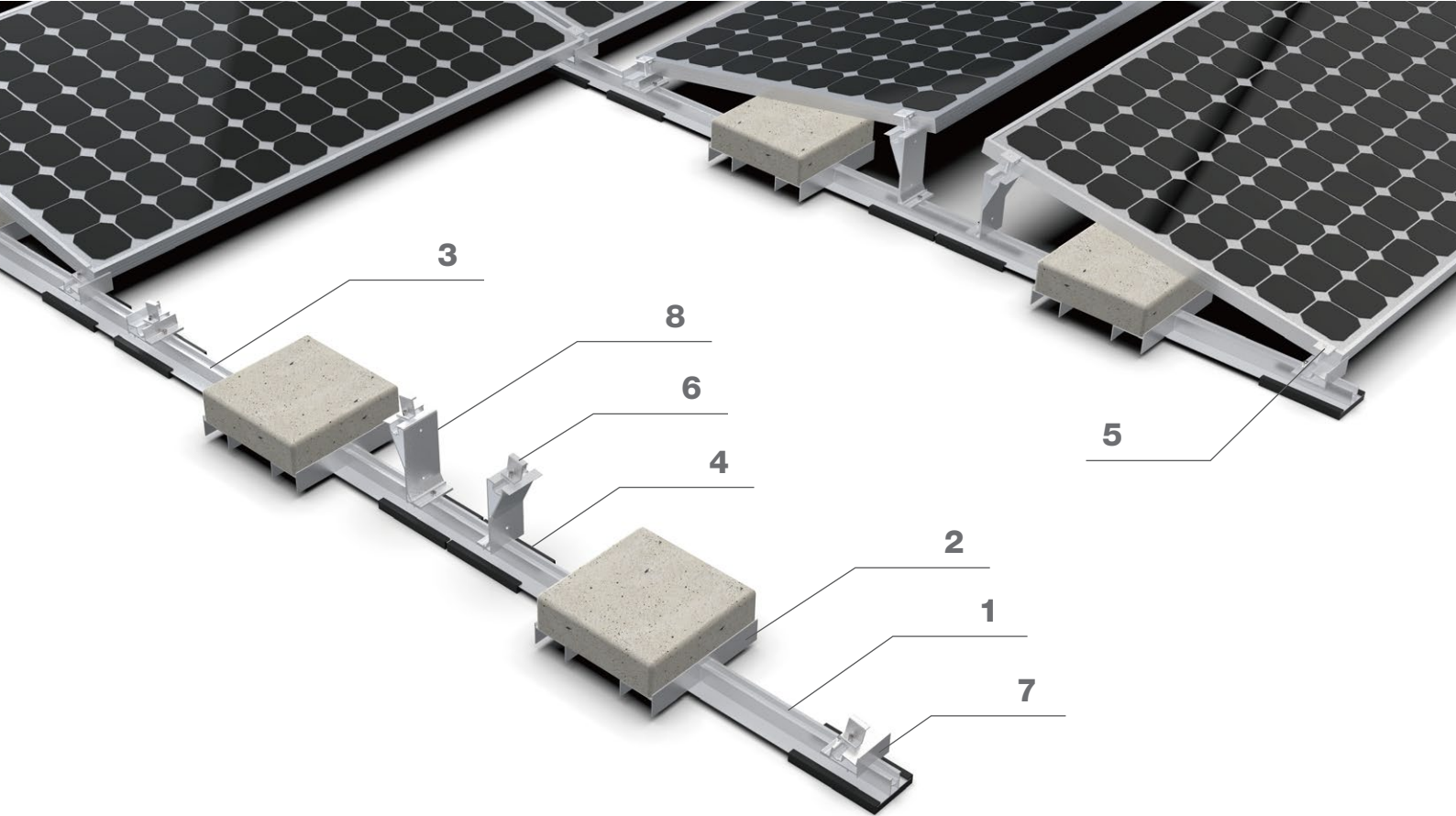


10 Degree dual tilt

- Maximal area utilized
- Maximal PV quantity installed
- Enerack E-W 10 is for solar installed on a flat roof, for maximized roof space utilized, and PV quantity installed.
- All parts are made of extruded aluminum, with stainless steel 304 fasteners
- EPDM foam tape is installed at the bottom of the system, separated the roof and system.
- EPDM foam tape provides better friction, and compensates for the height difference when the roof is uneven.

Technical features:

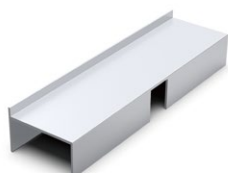
| | |
|--------------------|-----------------------------------|
| Product name | E-W 10 |
| Application | Flat roof |
| Tilt | 10° |
| System Material | extruded aluminum profile 6005 T5 |
| Fastener material | Stainelss steel 304 |
| Finish | Anodized |
| Module orientation | Landscape |



Components



1. ERK-R41-02



2. ERK-BST-02



3. ERK-SFR-04



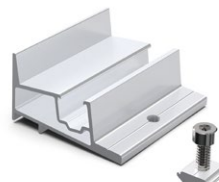
4. ERK-EFT-03



5. ERK-AIC



6. ERK-FEC

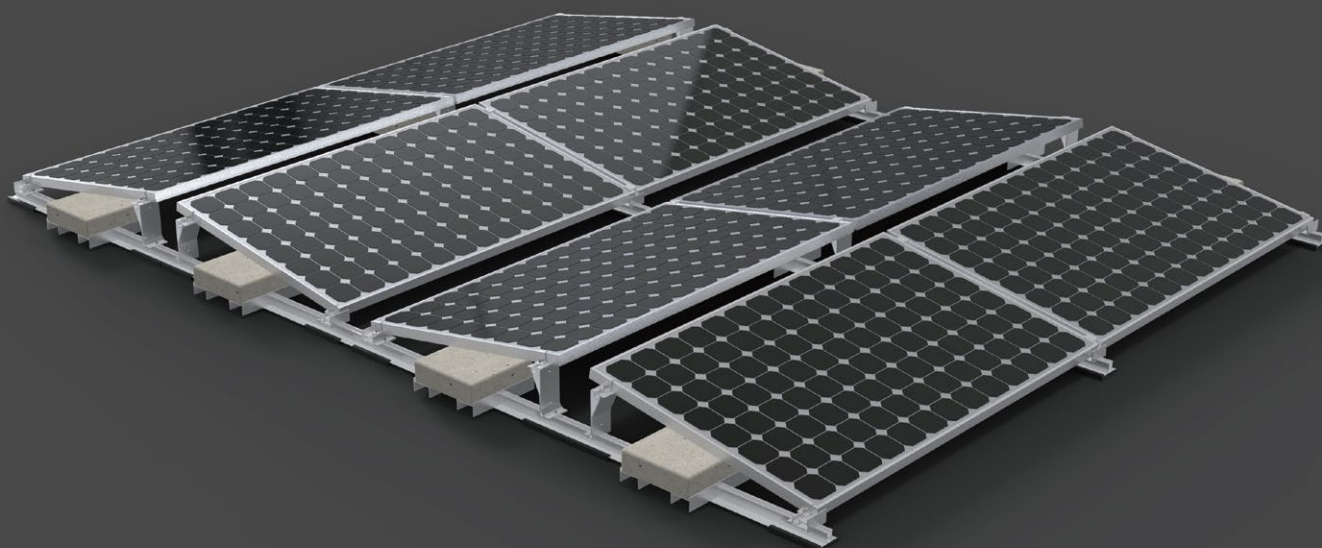
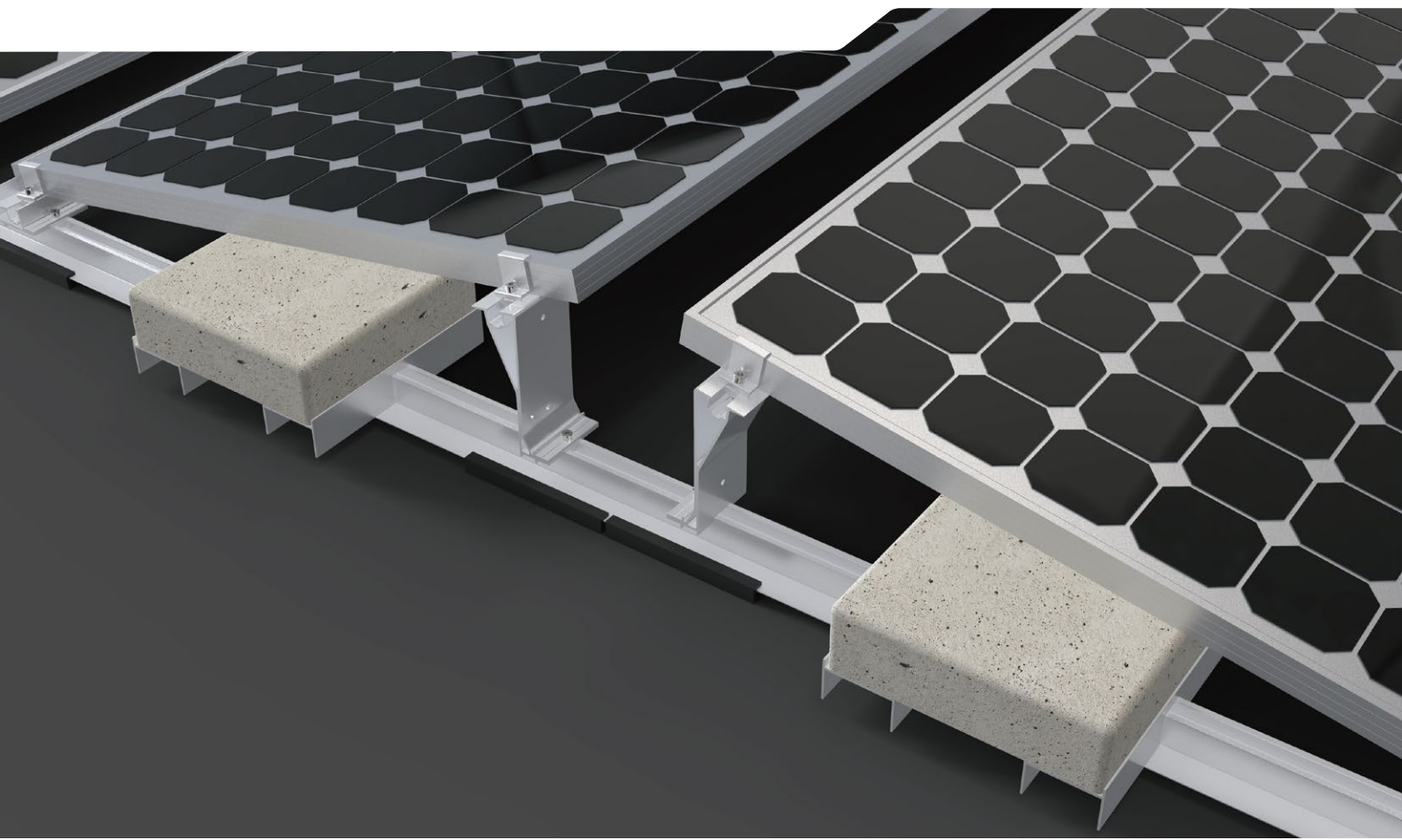


7. ERK-BPF-10



8. ERK-BPR-10

New & Improved: The Professionals' Choice With Superior Aesthetics



S 10



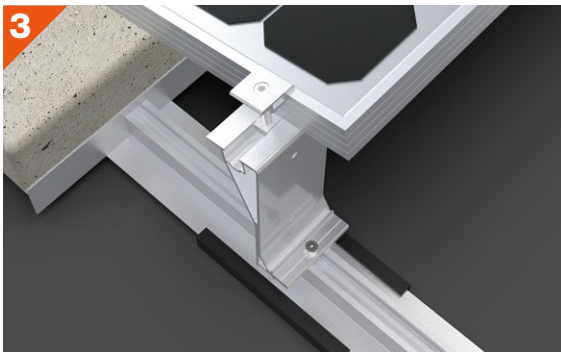
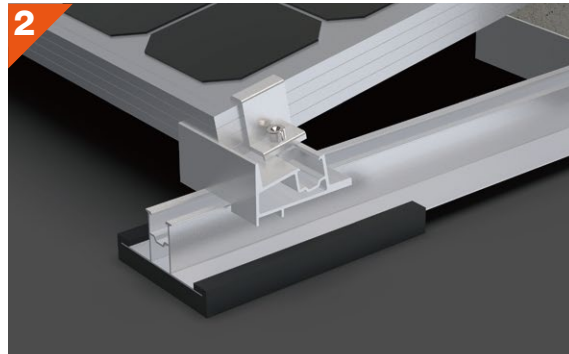
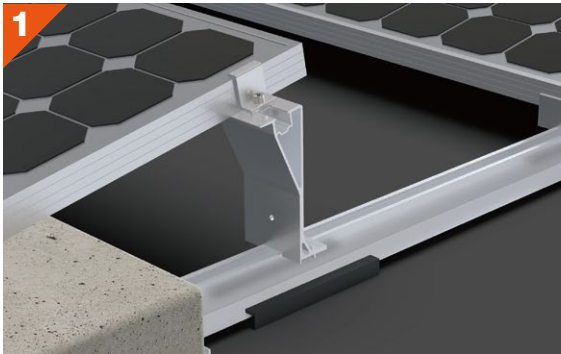
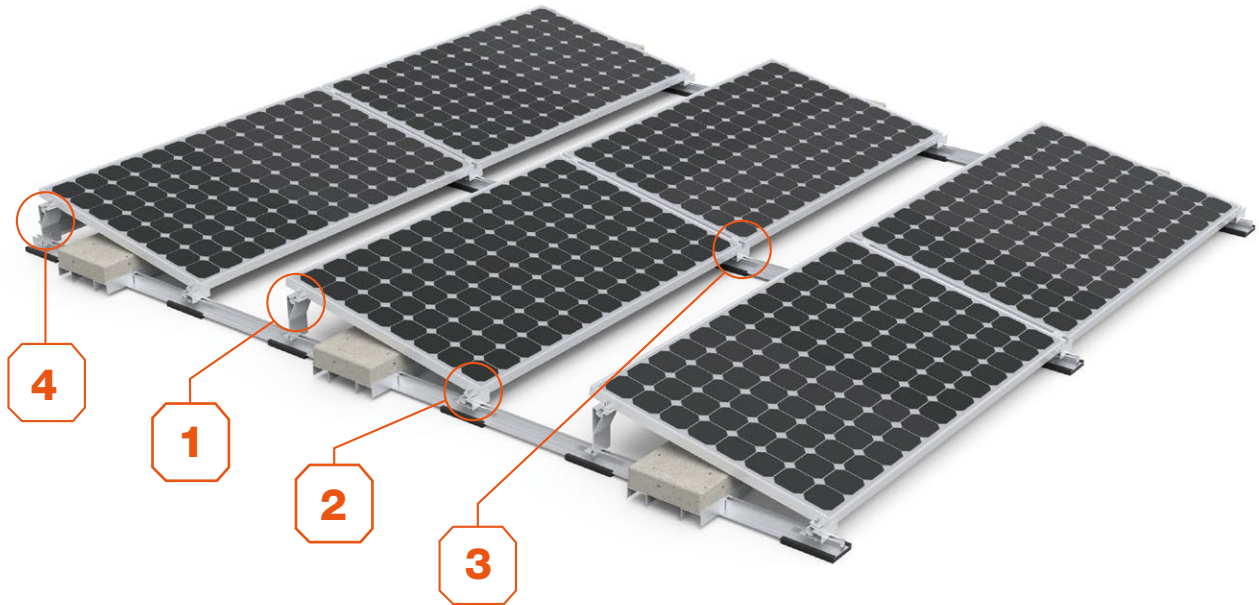
10 Degree tilt

- Better panel output
- The Enerack S Ballast is for solar PV to be fast and easily installed on a flat roof with 10 tilt degree inclination. All parts are made of extruded aluminum, with stainless steel 304 fasteners
- EPDM foam tape is installed at the bottom of the system, separated the roof and system.
- EPDM foam tape provides better friction and compensates for the height difference when the roof is uneven.

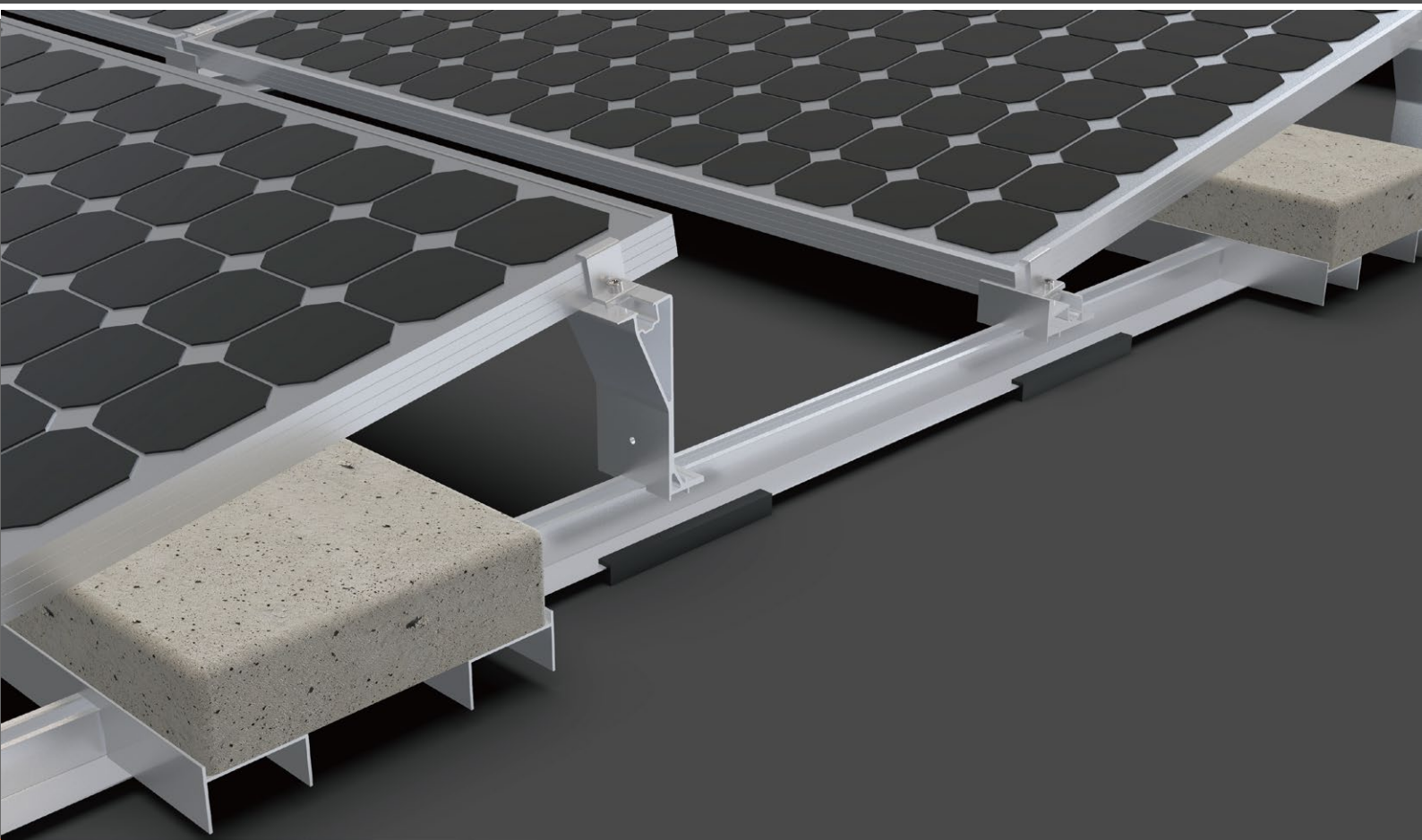
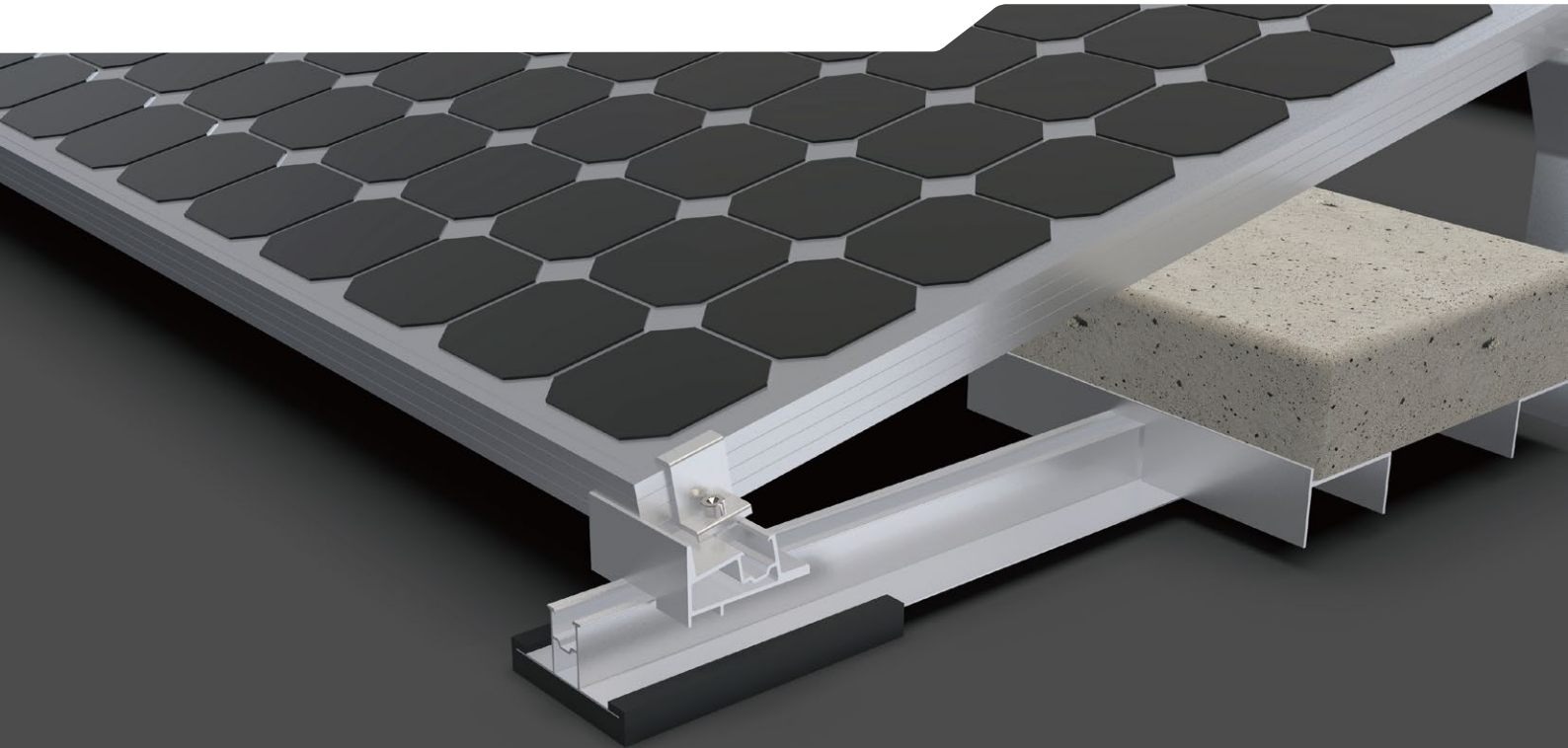
Technical features:

| | |
|--------------------|-----------------------------------|
| Product name | S 10 |
| Application | Flat roof |
| Tilt | 10° |
| System Material | extruded aluminum profile 6005 T5 |
| Fastener material | Stainelss steel 304 |
| Finish | Anodized |
| Module orientation | Landscape |

New & Improved: The Professionals' Choice With Superior Aesthetics



New & Improved: The Professionals' Choice With Superior Aesthetics





Xiamen Enerack Technology Co., Ltd.

Tel: +86 - 592-5669285

Fax: +86 - 592-5669235

Mail: info@enerack.com

web: www.enerack.com

Add: 203A, Norinco Business Plaza, NO.6

Huli Avenue, Huli District, Xiamen, China